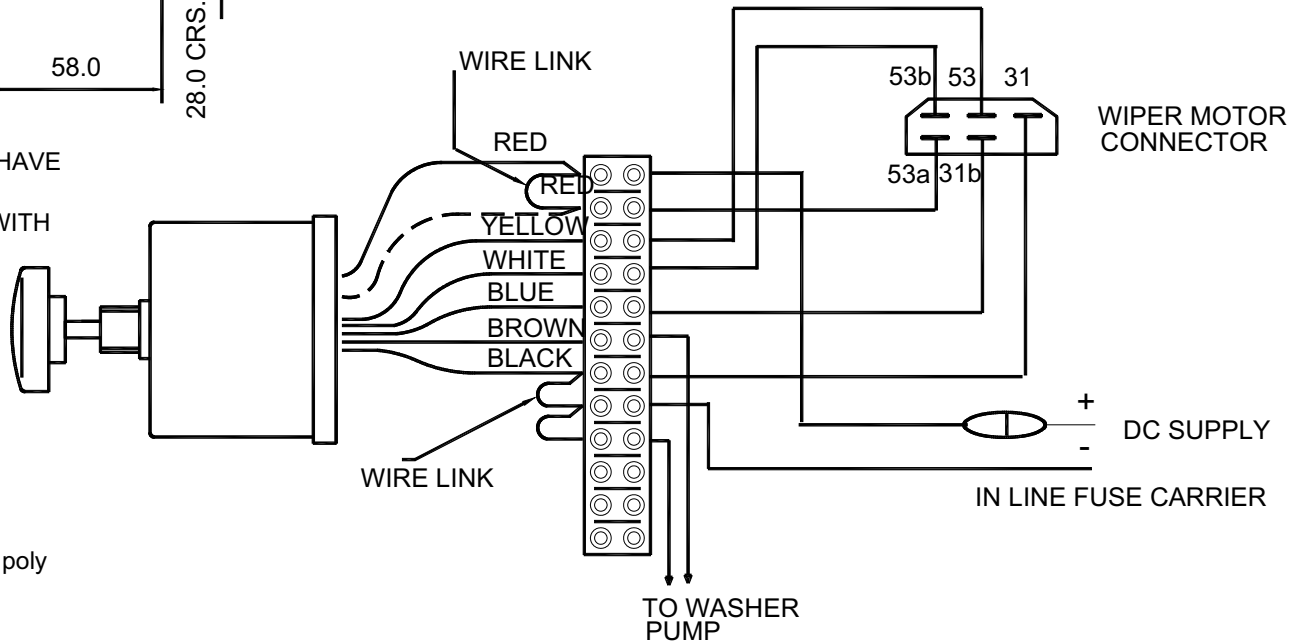


ELECTRICAL CONNECTIONS

SWITCH	MOTOR
BLUE wire	31b
YELLOW wire	53
RED wire	53a
WHITE wire	53b
BLACK wire	31
BROWN wire	Washer Pump

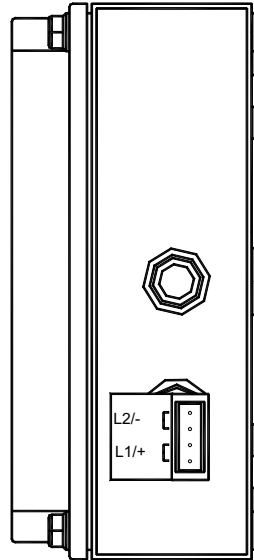
NOTE:  
SOME SWITCHES MAY HAVE  
A SECOND RED WIRE  
CONNECT AS SHOWN WITH  
DOTTED LINE.



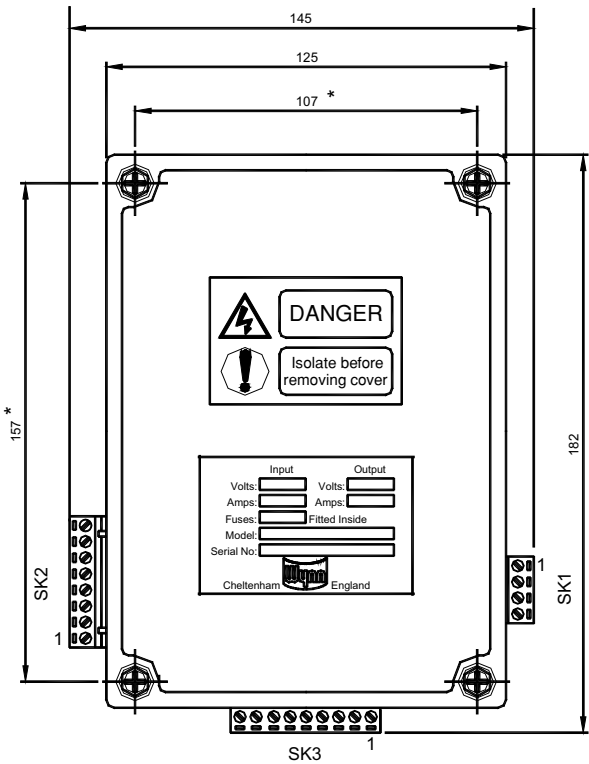
\\0800\manual\02-1poly

# PSU-012 and PSU 022 - 4 & 7 Amp Power Supplies

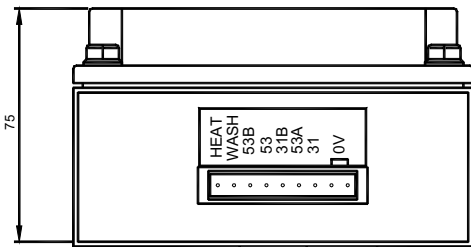
POWER SUPPLY  
TO MODULE  
POWER INPUT



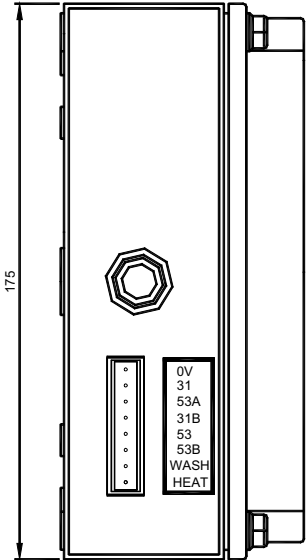
N.B. SOCKETS NOT SHOWN IN  
SIDE & END VIEWS.



POWER OUTPUT  
CONNECTIONS TO WIPER & MOTOR



CONTROL SWITCH  
CONNECTIONS TO  
CONTROL SWITCH



\* FIXING CENTRES ARE ALSO  
AT THIS DIMENSION.

\\PSU\manual\012-2-i2poly

