



**In-Mar Systems**  
**In-Mar Solutions**

Phone: (225) 644-7063

Fax: (225) 644-7046

Web: [www.inmarsystems.com](http://www.inmarsystems.com)

---

# NEW STRAIGHT-LINE WIPER ARM

---

**For blades from 1100mm up to 1975mm**



FOR DOUBLE CUR

**The double arm assembly is designed for the larger window requiring a maximum to bottom coverage.**

Where previously two wiper systems were necessary, top and bottom mounted to meet the coverage required, only one straight-line wiper is required. Bringing significant cost saving to the customer from initial planning through to wiper control cost, installation, commissioning and aftersales.

---

This new value-engineered and customer focused design offers the following benefits.

- **Increased superior wiper area coverage.**
- **Substantial system price reduction.**
- **Aesthetically and ergonomically improved.**
- **Integrated anti lift assembly.**

Compliant with DNV accreditation.

The innovative product design is backward compatible and will be available from October 2019.

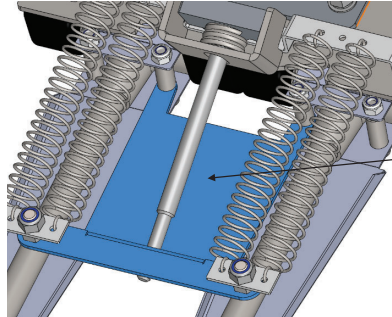


**Wynn**  
STRAIGHT LINE

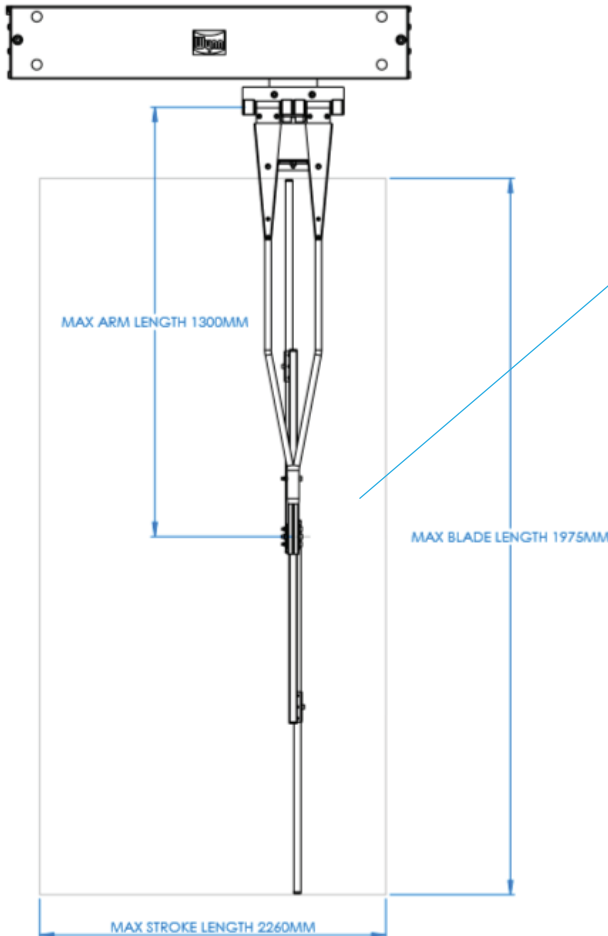
**DNV·GL**

# Type C & D Straight Line Wiper

IDEAL FOR LARGE OCEAN-GOING VESSELS OR VESSELS REQUIRING A MAXIMUM COVERAGE



Adjustable anti lift and spring support system



## Benefits

Double blade configuration to guarantee equal pressure over the full length of the blade.

Over lap area of the two blades.

## Application

Single Type C & D SLW

## Specification

Stroke	Minimum 305mm
	Maximum 2260mm
Arm	Maximum 1300mm
Blade	Maximum 1975mm

Marine grade 316 & 304

stainless steel - corrosion resistant



**In-Mar Systems**  
**In-Mar Solutions**

Phone: (225) 644-7063

Fax: (225) 644-7046

Web: [www.inmarsystems.com](http://www.inmarsystems.com)