



**SERIES 2000**

**Wiper Controllers**

Series 2000 wiper controllers are versatile Heavy Duty controllers. Available for 1-phase, 3-phase AC and DC power supplies on 100, 115, 230v AC and 24v DC.

**FEATURES**

- Individual and group control
- Fast speed operation (1ph & DC)
- Fast & slow speed operation (3 phase AC only)
- Automatic self parking
- Intermittent mode with 15 delay positions (4-32 secs)
- Group heater switch
- Screen wash switch giving wash-wipe facility. When pressed all wipers will run and then park on release of switch
- Wash-wipe/air purge option
- Synchronised group wiping in intermittent mode

**OPTIONS**

Standard units are available in 1-6 ways. Custom built systems for up to 32 ways are also available allowing the complete arrangement of the controller to be designed to meet your specification, so whatever the application Wynn can supply a controller to suit your needs

**FOR USE WITH :**

Series 2000 controllers are suitable for use on Wynn Ocean Range products,

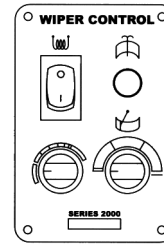
- Type C and D Straight line wipers
- Type 1762 Pantograph wipers.



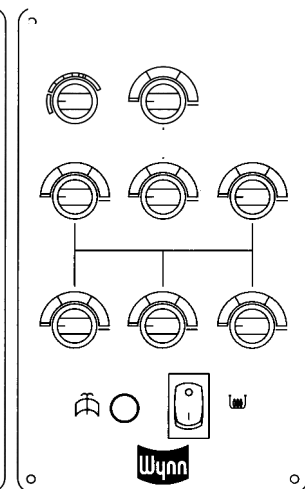
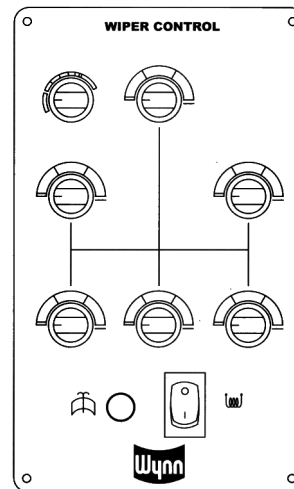
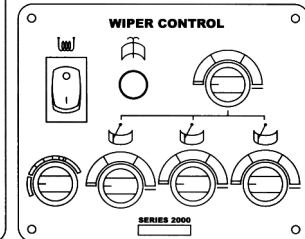
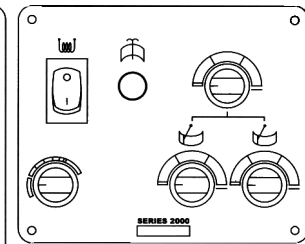
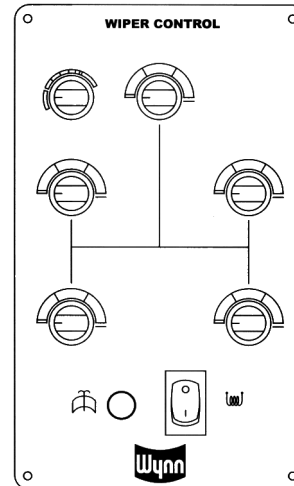


**SERIES 2000**

Wiper Controllers



- Individual and Group Wiper Switch
- Intermittent Switch
- Heater Switch
- Wash Wipe Switch



CONTROLLERS



**SPECIFICATIONS**

	Cut- out size (mm)	Overall size (mm)	Fixing holes (mm)	Weight (kgs.)
1 way	86mmW * 107mmH	95mmW * 135mmH	86mmW * 107mmH	2
2 way	167mmW * 107mmH	175mmW * 135mmH	167mmW * 107mmH	2.6
3 way	167mmW * 107mmH	175mmW * 135mmH	167mmW * 107mmH	2.6
4 way	167mmW * 222mmH	175mmW * 270mmH	167mmW * 222mmH	5.2
5 way	167mmW * 222mmH	175mmW * 270mmH	167mmW * 222mmH	5.2
6 way	167mmW * 222mmH	175mmW * 270mmH	167mmW * 222mmH	5.2